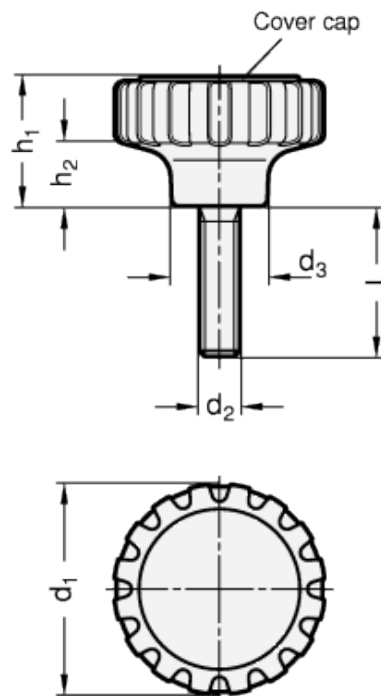


# GN 7336

Knurled knobs with threaded pin



## technical informations

### Material

Plastic, polyamide based (PA) technopolymer, glas fibre reinforced, temperature resistant up to 130 °C.

### Threaded pin

Zinc-plated steel ST, blue passivated.

### Cover cap

Light grey, matte.

*Special executions on request (For sufficient quantities)*

- Cover caps in different colours.
- Cover caps with printed lettering.

*Features and applications*

Knurled knobs GN 7336 distinguish an attractive design in combination with closed shape (no recess on the underside of the handles).

The threaded inserts are standard hexagonal nuts or hexagonal screws which are press-fitted in mechanically.

Standard Elements	Main dimensions				Threaded pin		Weight
Description	d <sub>1</sub>	d <sub>3</sub>	h <sub>1</sub>	h <sub>2</sub>	d <sub>2</sub>	l	g
GN 7336-34-M6-11-ST	34	16	20	10.5	M6	11	14
GN 7336-34-M6-15-ST	34	16	20	10.5	M6	15	16
GN 7336-34-M6-20-ST	34	16	20	10.5	M6	20	17
GN 7336-34-M6-25-ST	34	16	20	10.5	M6	25	20
GN 7336-34-M6-30-ST	34	16	20	10.5	M6	30	25
GN 7336-42-M8-15-ST	42	19	25	13	M8	15	40
GN 7336-42-M8-20-ST	42	19	25	13	M8	20	32
GN 7336-42-M8-25-ST	42	19	25	13	M8	25	15
GN 7336-42-M8-30-ST	42	19	25	13	M8	30	33
GN 7336-42-M8-40-ST	42	19	25	13	M8	40	20
GN 7336-53-M10-20-ST	53	24	31	16	M10	20	55
GN 7336-53-M10-25-ST	53	24	31	16	M10	25	60
GN 7336-53-M10-30-ST	53	24	31	16	M10	30	60
GN 7336-53-M10-40-ST	53	24	31	16	M10	40	60
GN 7336-53-M10-50-ST	53	24	31	16	M10	50	75



STANDARD MACHINE ELEMENTS WORLDWIDE